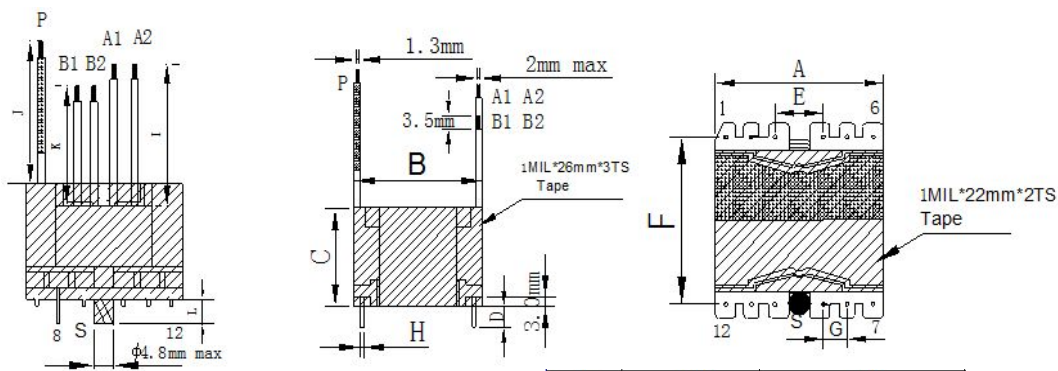


CUSTOMER TERMINAL	ROHS	Lead(Pb)-free
	YES	YES

1. Mechanical Dimensions



A	35.0	MAX
B	35.0	MAX
C	26.5	MAX
D	3.5	±0.5
E	7.5	±0.3
F	30.0	±0.4
G	5.0	±0.3
H	0.80	±0.1
I	58.5	±2.0
J	53.50	±2.0
K	39.5	±2.0
L	3.5	±0.5

3. Material List

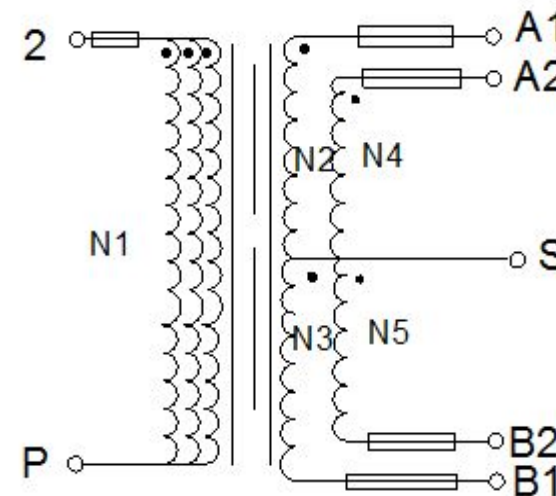
Core:FW44 PQ3225

Bobbin:FWB3202-1(6+6PIN)

Wire: TIW LITZ

Operating Temperature: -30 to115 °C

2. Schematic Diagram



4. Electrical Specification

Inductance : $L (2-P) 55\mu H \pm 5\% 100KHZ, 0.9V$

Leakage Inductance : $5\mu H \text{ MAX } 100KHZ, 0.9V$

DCR : $(P-2)=60m\Omega \text{ MAX}$

Hi-Pot:P-S: AC 60Hz 4000V 1mA 3S

P-CORE: AC 60Hz 3000V 1mA 3S

REV.	DATE	<p>Convention Placement</p>	DRW.	Drawing Title:	Part No:		
0	00/00		CHK.			TRANSFORMER	FWPTPQ3225V550J
			APP.			Customer P/N	Specification Sheet 1of 1
ROHS		www.ferriwo.com					